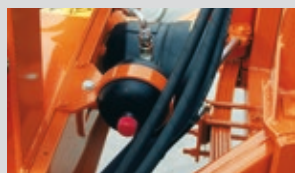


### GROUP A



Lift float



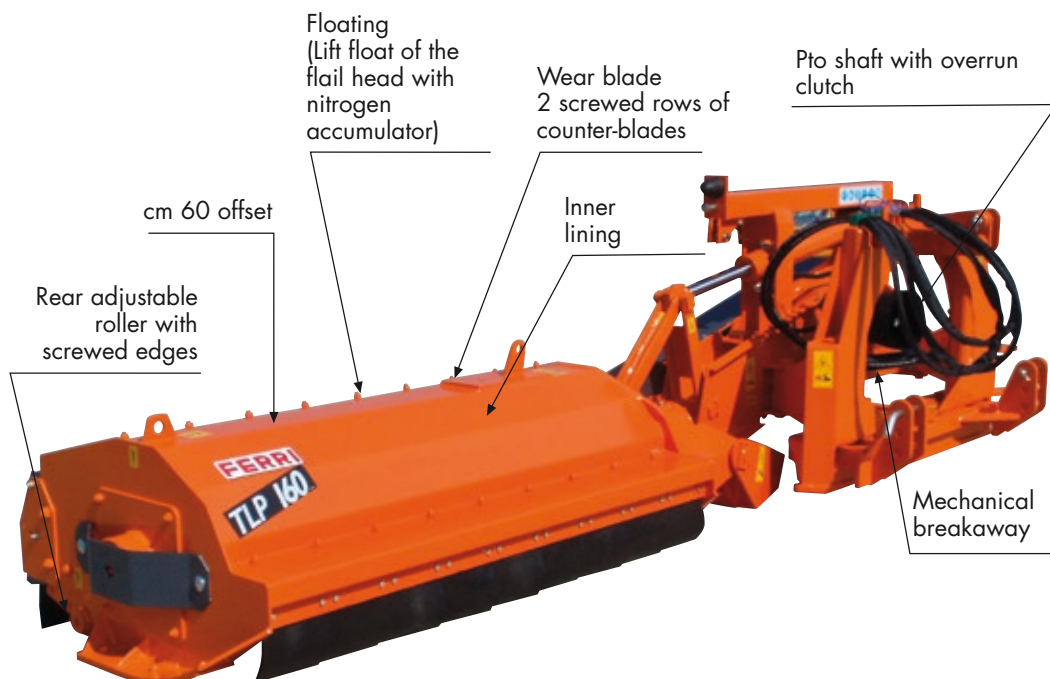
Hydraulic offset



Elastic Joint between gearbox and rotor




Mechanical breakaway

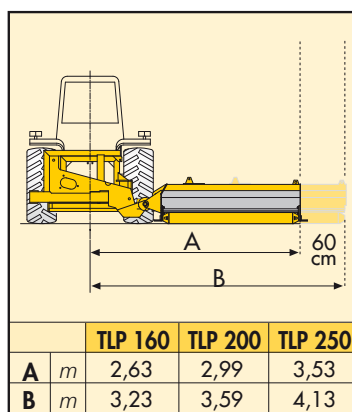
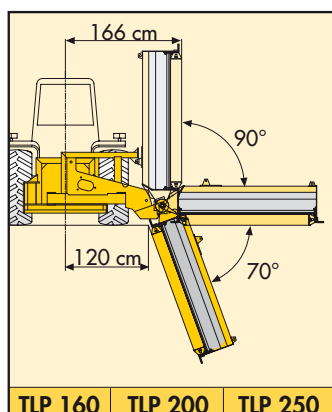


TLP160A Front version for tractors with front mounting



HP Tractor 	70	80	90	100	110	120	Min. tractor weight Kg	Min. tractor width m
TLP160							2400	1,80
TLP200							2600	2,00
TLP250							2800	2,20

### Working positions (m)





## Technical data

Model	Cutting width	Min-Max sidesliding*	Flail head angle		Weight	Pto	Belts	Blade tip speed
	m		m	degrees				Kg
TLP160	1,61	2,63-3,23	↓ 70°	90° ↑	1000	540	5	50
TLP160A	1,61	2,63-3,23	↓ 70°	90° ↑	1000	1000	5	50
TLP200	1,97	2,99-3,59	↓ 70°	90° ↑	1120	540	5	50
TLP250	2,51	3,53-4,13	↓ 70°	90° ↑	1340	1000	1**	45

\* Reach measured from tractor centre line to head edge

\*\* Multiple belt

### Equipped with:

- Lift float of the flail head with nitrogen accumulator
- Hydraulic offset through a parallelogram system (cm 60 offset)
- Mechanical breakaway
- Elastic Joint between gearbox and rotor
- Reinforced frame
- Adjustable flow restrictor for flail head drop
- Rear adjustable roller with screwed edges
- Adjustable and wearproof side skirts
- Double wear blades
- Adjustable cutting height
- Pto shaft with overrun clutch

## Machines

Model	Flails	
TLP160	A	48 hedge trimming flails
	B	32 multiuse "Y" blades
	C	16 forged hammer-blades
TLP200	A	60 hedge trimming flails
	B	40 multiuse "Y" blades
	C	20 forged hammer-blades
TLP250	A	78 hedge trimming flails
	B	52 multiuse "Y" blades
	C	26 forged hammer-blades




## Machines with side-shift linkage for tractors with front mounting

Model	Flails	
TLP160A	A	48 hedge trimming flails
	B	32 multiuse "Y" blades
	C	16 Forged hammer-blades

## Accessories

Kit distributor with floating (cod. ZL1605)

## Flails

Specific rotor	Interchangeable on the same rotor	
Articulated hedge trimming blades for: grass, bushes Ø max 1 cm	Multiuse "Y" blades for: grass, bushes, shrubs Ø max 4 cm	Forged hammer-blades for: twigs, grass Ø max 4 cm
<b>A</b> 	<b>B</b> 	<b>C</b> 
Cod. 0901139	Cod. 0901176	Cod. 0901175

## Warning

Suitable for tractors equipped with 2 distributors provided with 2 double acting sections, one of which with floating. In case the tractor has only one acting, it will be necessary to fit the kit distributor with floating (see option.)

IT IS RECOMMENDED that the connection between tractor and shredder and its setting up should be made with the Dealer according the instructions and warnings listed on our Use and Maintenance Manual. For further information please contact our after sales service.