

FERRI®

SIMPLY. THE MOWER

PATENTED FERRI

ZMLE

SETTING

Lateral

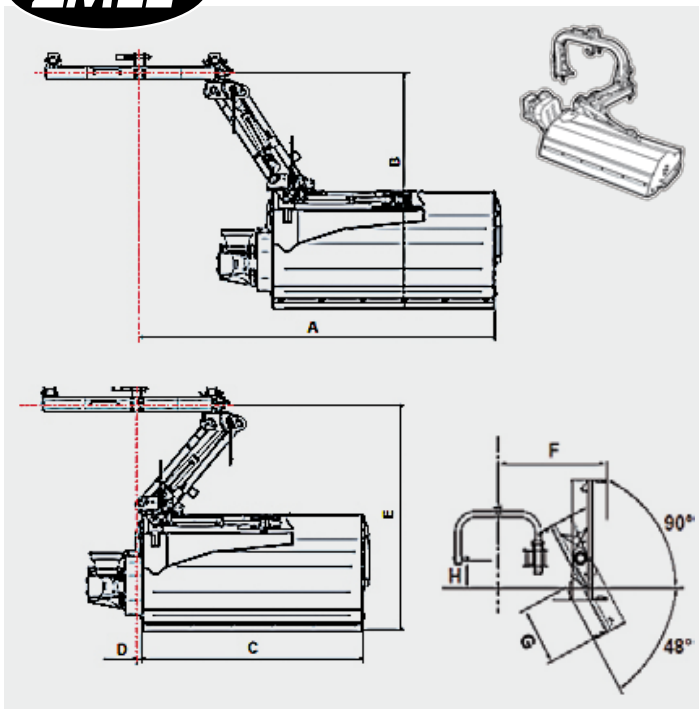
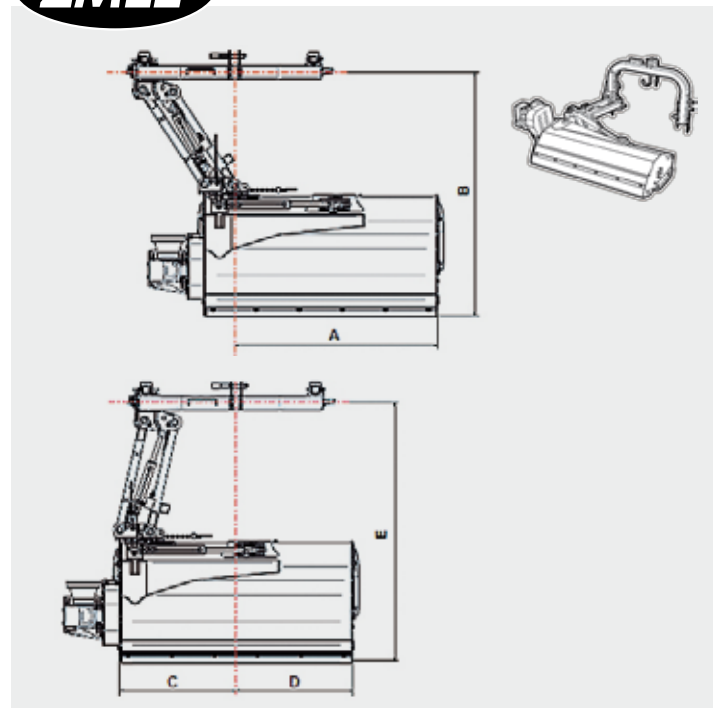
CENTRAL



Offset / inline slope mowers

- Versatile, it is designed to operate in row crops and in ground sloping situations, with ease of operation and the flexibility to change the positioning of the head linkage.
- Innovative and unique, because of the offset mowers central positioning and the patented double linkage.
- Easily serviced and simple to change the working positions from a lateral extension back to the central position.



ZMLE**LATERAL SETTING****ZMLE****CENTRAL SETTING****DIMENSIONS**

		ZMLE 1400	ZMLE 1600
A	m	2,39	2,59
	ft.	7' 10"	8' 6"
B	m	1,69	1,69
	ft.	5' 7"	5' 7"
C	m	1,42	1,62
	ft.	4' 8"	5' 4"
D	m	0,04	0,04
	ft.	0' 1.6"	0' 1.6"
E	m	1,64	1,64
	ft.	5' 5"	5' 5"
F	m	1,49	1,49
	ft.	4' 11"	4' 11"
G	m	1,02	1,22
	ft.	3' 4"	4'
H	m	0,4	0,4
	ft.	1' 4"	1' 4"

DIMENSIONS

		ZMLE 1400	ZMLE 1600
A	m	1,21	1,41
	ft.	3' 12"	4' 8"
B	m	1,69	1,69
	ft.	5' 7"	5' 7"
C	m	0,81	0,81
	ft.	2' 8"	2' 8"
D	m	0,61	0,81
	ft.	2'	2' 8"
E	m	1,8	1,8
	ft.	5' 11"	5' 11"

OFFSET IN-LINE MOWER

Model		ZMLE 1400	ZMLE 1600
Width of cut	cm (inc)	140 (55)	160 (63)
Min. Tractor width	cm (inc)	160 (63)	180 (71)
Tractor power min/max	HP (KW)	40/70 (30/52)	40/70 (30/52)
Min. Tractor weight	Kg (lbs)	1300 (2866)	1400 (3086)
PTO speed	giri/min (Rpm)	540	540
Maximum power consumption	HP (KW)	31 (23)	31 (23)
Machine weight - Cardan weight	Kg (lbs)	442/25 (974/55)	462/25 (1018/55)
Coupling tractor	Cat.	II ^a	II ^a
Rotor speed	giri/min (Rpm)	2700	2700
Blade tip speed	giri/sec (Rps)	48	48
Multiuse flails	Nr.	54	66
Hammer	Nr.	18	22
Articulated blades	Nr.	30	36
Hydraulic system pressure	Bar (PSI)	190 (2750)	190 (2750)
Hydraulic oil	Tipo	ISO-L-HM68	ISO-L-HM68
Belts	Nr.	3	3

FERRI[®]

SIMPLY. THE MOWER



The technical data and the models described are not binding. For purposes of improvements the manufacturer reserves the right to any alternation, without notice. Drawings and photographs may refer to optional or particular equipment for other countries. For further information, please contact our sales network.

FERRI Srl - Via Govoni, 30 - 44034 Tamara (FE) Italy - Ph. +39 0532 866866 - Fax +39 0532 866851 - info@ferrisrl.it - www.ferrisrl.it

